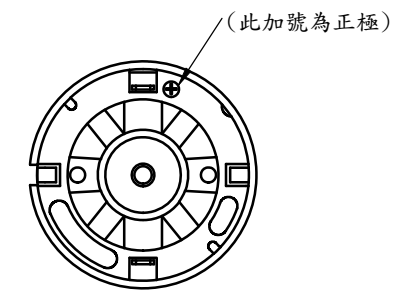
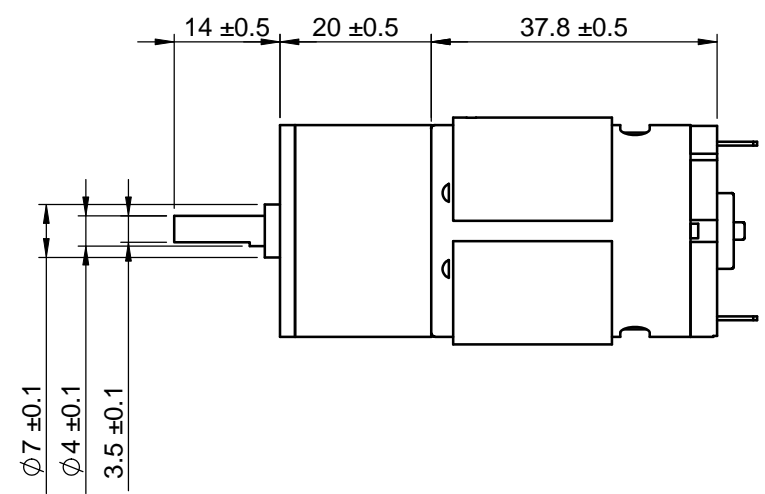
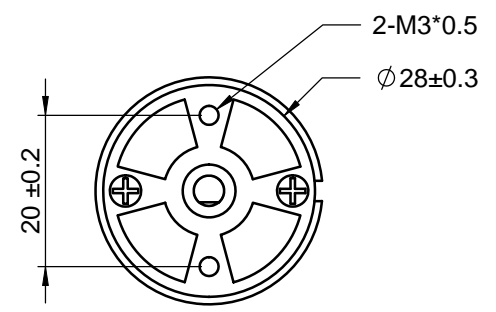


1 2 3 4 5 6

A

A

DIRECTION OF ROTATION



B

B

C

C

MODEL		NO LOAD		AT MAXIMUM EFFICIENCY					Gear Ratio	 THIRD ANGLE PROJECTION ALL DIMENSION ARE IN MM (UNLESS OTHERWISE SPECIFIED)	製圖 設計 審核 材料 完成時間	JOANNE		Cheshire Electric Company, LLC	
NOMINAL	12V DC	SPEED RPM	CURRENT A	SPEED RPM	CURRENT A	TORQUE g-cm	OUTPUT W	EFF %				Part No	Name	REV. NO.	
		297	0.25	237	0.97	2727.27	6.78	58.14	1:31	繪製比例: 1:1	2011/5/6	JR28-L008A569	Gear motor	A	

D

D

1 2 3 4 5 6